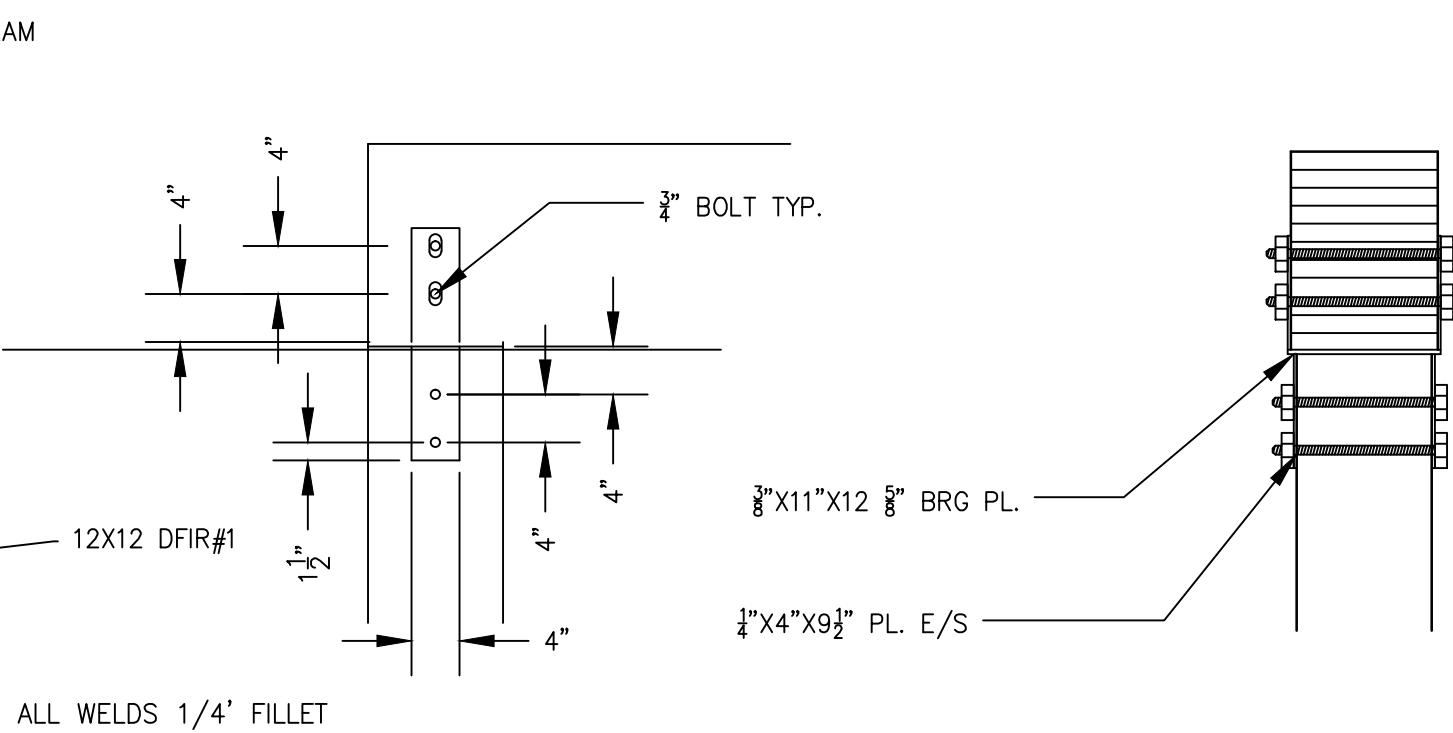
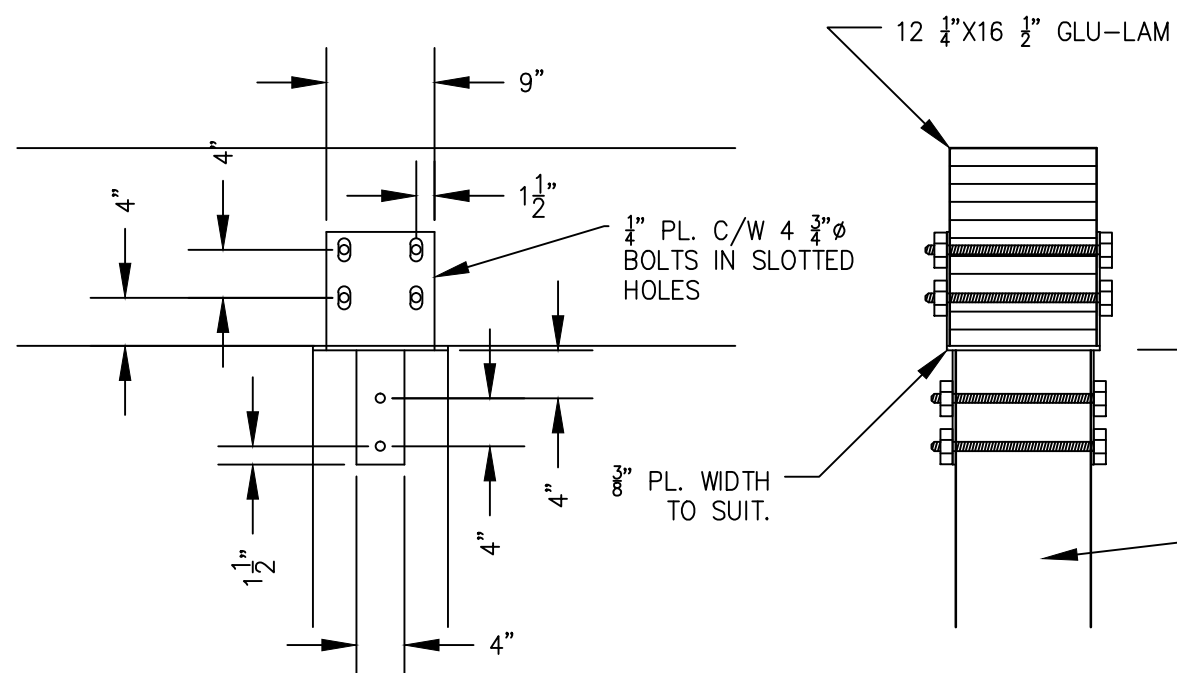


8 SECTION
SCALE: 3/4"-1"

9 SECTION
SCALE: 3/4"-1"

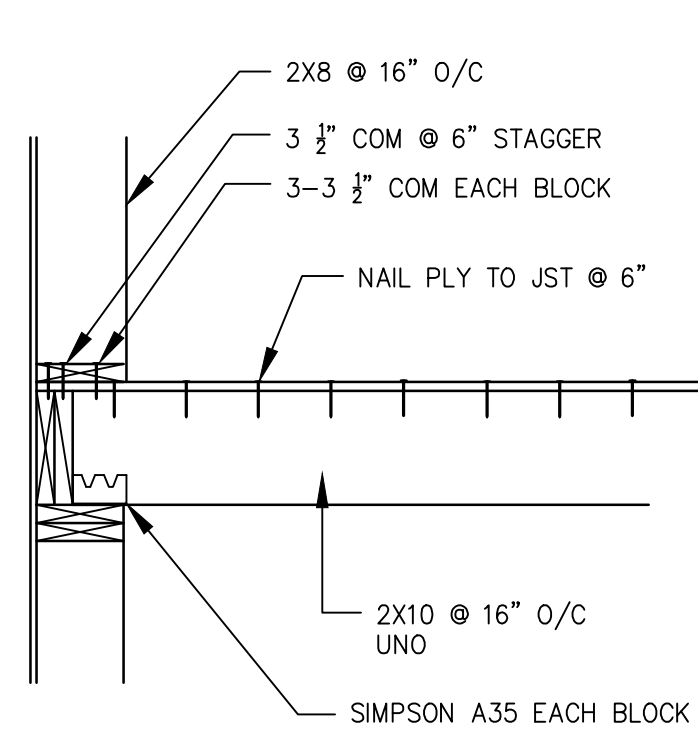
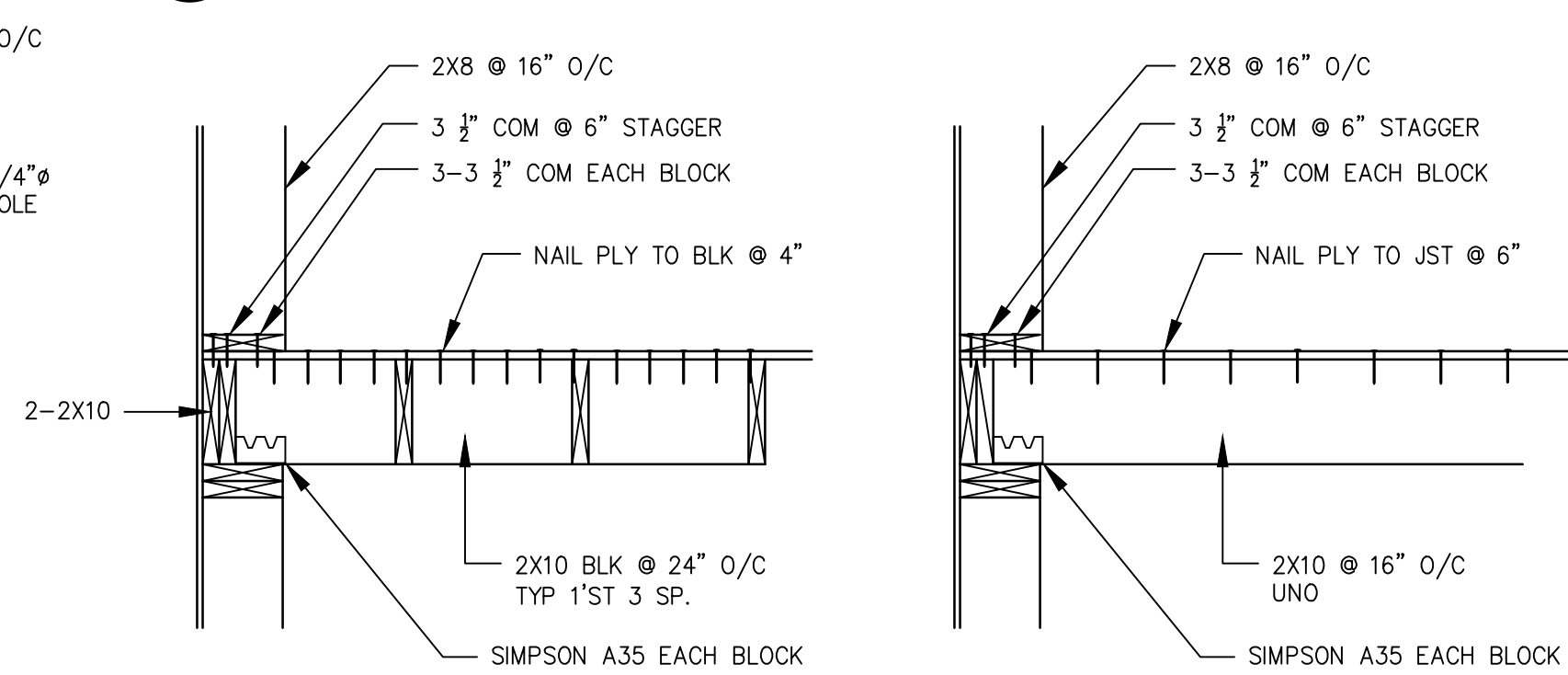
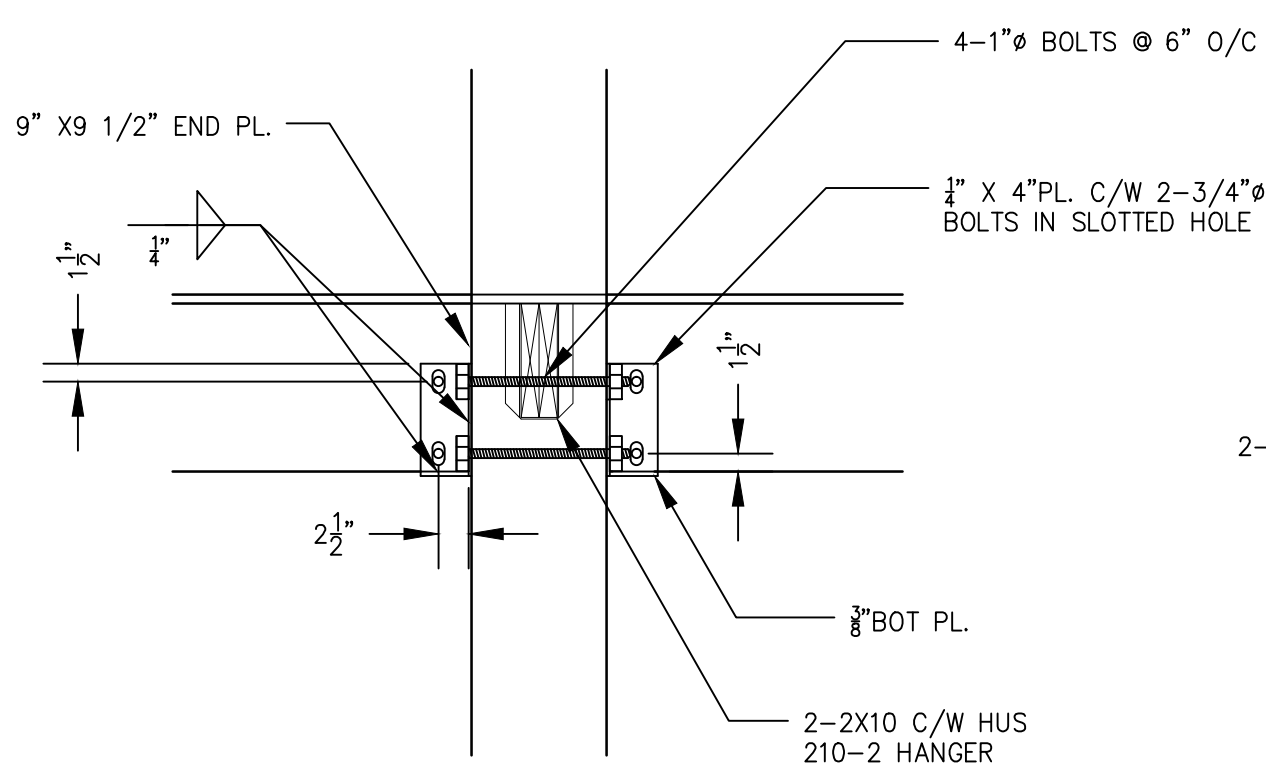


10 SECTION
SCALE: 3/4"-1"

10A SECTION
SCALE: 3/4"-1"

11 SECTION
SCALE: 3/4"-1"

11A SECTION
SCALE: 3/4"-1"



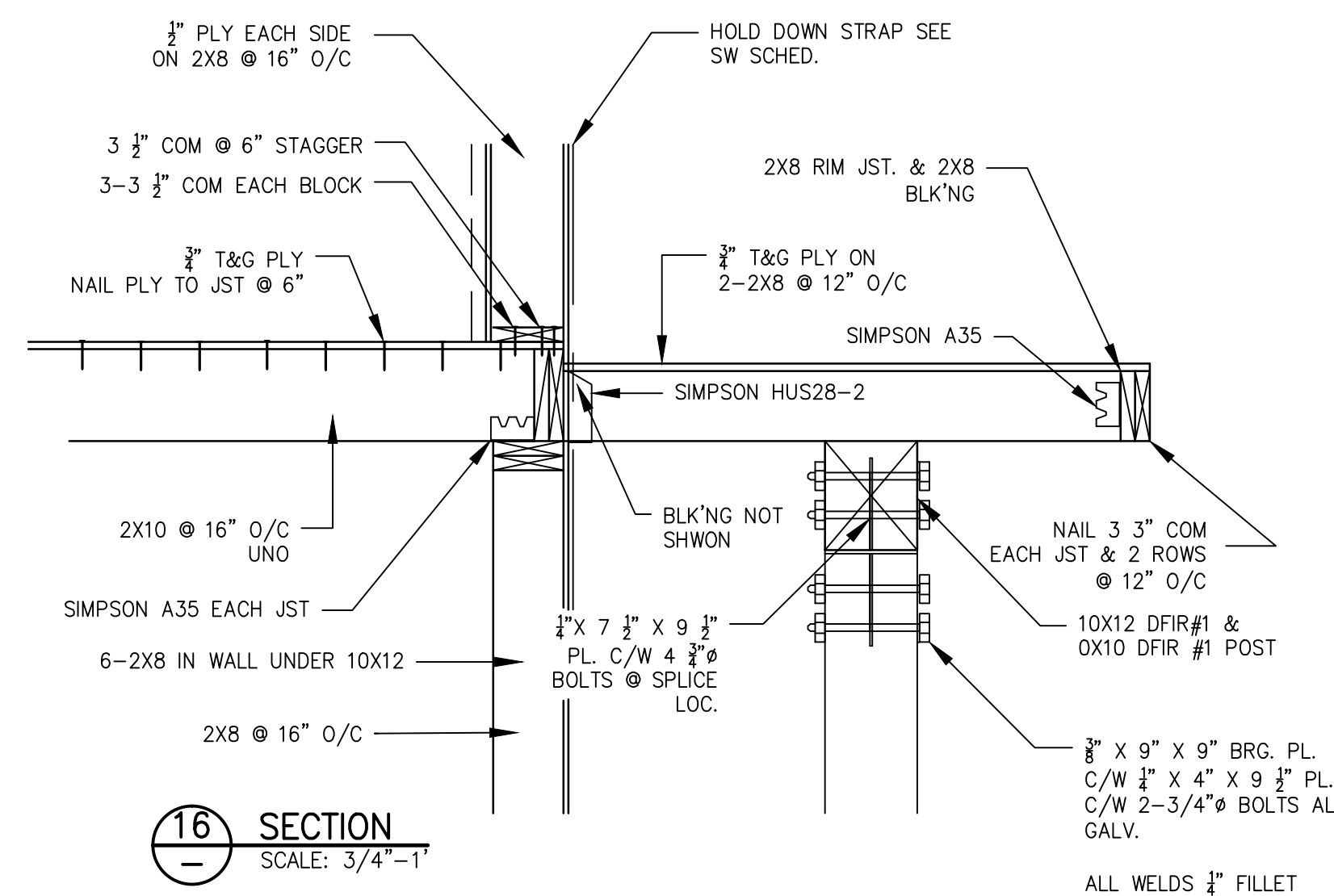
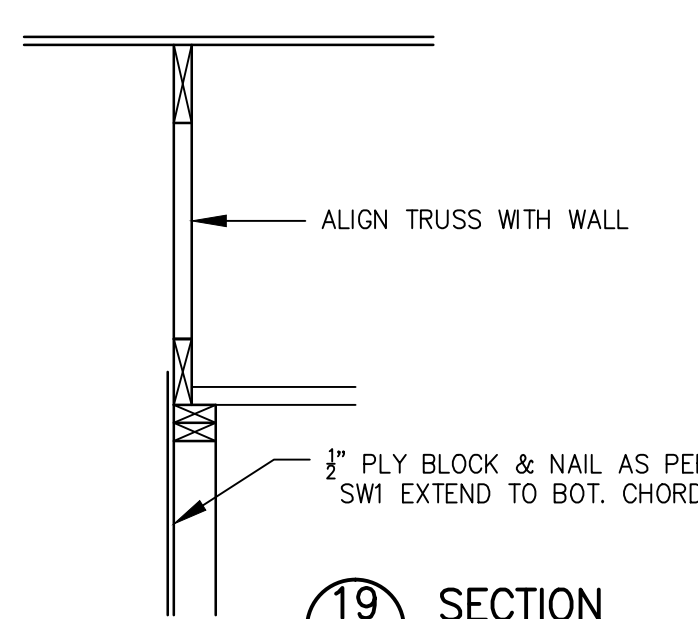
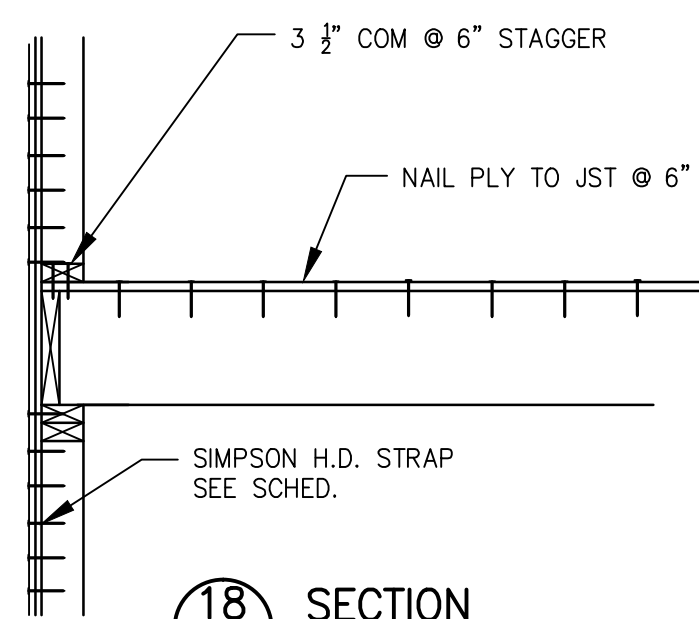
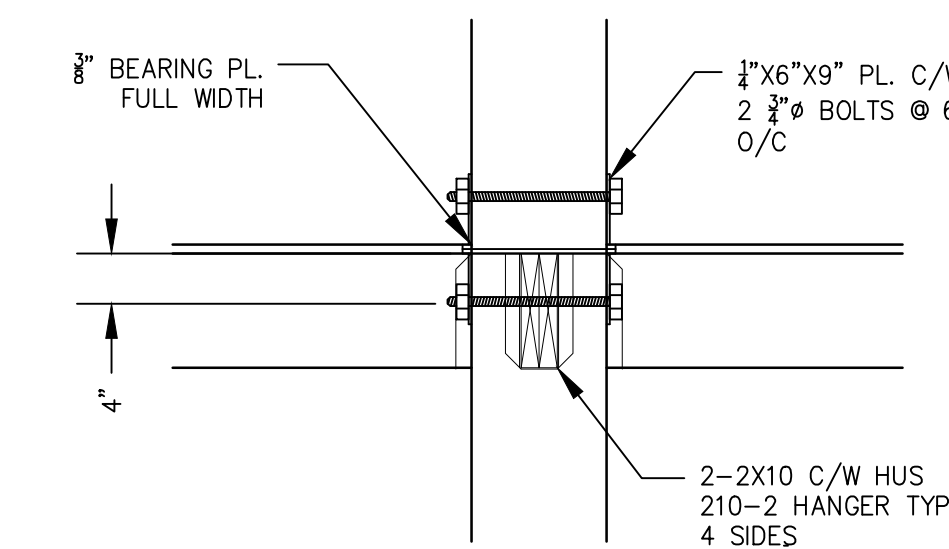
13 SECTION
SCALE: 3/4"-1"

14 SECTION
SCALE: 3/4"-1"

12 SECTION
SCALE: 3/4"-1"

15 SECTION
SCALE: 3/4"-1"

15A SECTION
SCALE: 3/4"-1"



Do not scale drawings. Contractor shall verify all dimensions of the work and report any discrepancies to the engineer before proceeding. This drawing is not to be used for construction until stamped and signed by the engineer. As an instrument of service, this drawing is the property of the engineer and may not be reproduced without permission. This drawing is for the use of the specified project only and shall not be used otherwise without written permission of the engineer.

DATE	REVISION
FEB 22/11	COORDINATION
MAY 07/11	BUILDING PERMIT

PROJECT: RICK JOLLY CHALET
LOT 5 CRUCKSHANK RIDGE
MOUNT WASHINGTON

BATES ENGINEERING
5726 CORAL RD. COURTENAY B.C. V9J 1W9
(PH) 250 334 9227 (FAX) 250 334 9220

SHEET TITLE: FRAMING DETAILS

DATE: FEB 21, 2011	SHEET No:
DRAWN: HFB	S3
CHECKED:	
SCALE: 1/4" = 1'-0"	
JOB No: 11-10-01	